

LEDDISK



LOCALLY
manufactured

BEKA Schröder
Experts in lightability™



LEDDISK-MAXI



LEDDISK-MIDI

CHARACTERISTICS – LUMINAIRE

Optical compartment tightness level:	IP 54 ^(*)
Control gear tightness level:	IP 54 ^(*)
Impact resistance (acrylic):	IK 08 ^(**)
Nominal voltage:	198-264V – 50Hz
Electrical class:	I ^(**)
Weight (total):	Up to 14kg
Materials:	Housing: Aluminium
	Diffuser: Acrylic
Standard colour:	White (RAL 9003), Textured finish

LED light sources

Correlated colour temperature (CCT):	4000K (Neutral white 840)
Colour rendering index (CRI):	≥80
Wattage:	16W - 150W
Flux:	1800lm - 18000lm

^(*) according to SANS 60598

^(**) according to SANS 62262

APPLICATIONS

- Shopping malls
- Showrooms
- High-tech environments
- Commercial centres
- Public buildings

KEY ADVANTAGES

- Highly efficient and energy saving
- Slim, aesthetic design optimised for LED characteristics
- Halo effect
- Manufactured in South Africa
- Designed to operate LED light sources of up to 144W in an ambient temperature environment of up to 35°C, without reducing the useful lifetime of up to 60 000 hours, at a lumen depreciation of not more than 20% (L80)
- Long lifetime and low maintenance, no lamp replacement for more than 10 years
- Low glare lighting
- No upward lighting
- Easy to install
- Flicker-free lighting
- Colour rendering index ≥80

CONSTRUCTION DETAILS

The luminaire consists of an aluminium housing, enclosed by an acrylic diffuser. The luminaire is suspended by means of a 3-fold wire rope suspension. It is designed to operate an LED engine of up to 150W.

The luminaire bears the SANS 60598 safety mark.

The electronic power supply is suitable for operation with a 198-264V 50Hz single phase system. The power factor is rated at >0,95. The efficiency is rated >89%.

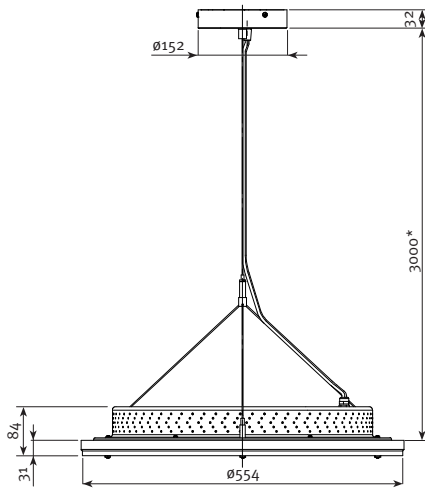
Electronic temperature monitoring prevents overheating of LEDs and power supply (ThermiX®).

OPTIONS

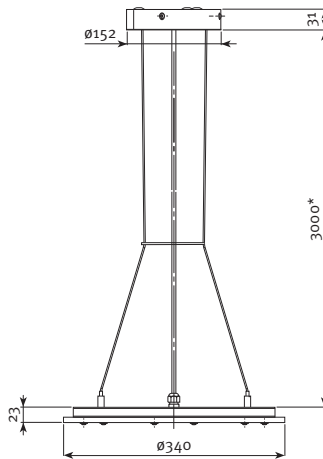
- Fully dimmable 0%-100% (DALI)
- Extra length of suspension system

DIMENSIONS IN MM

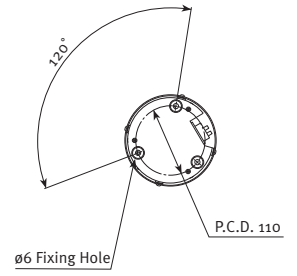
LEDDISK-MAXI



LEDDISK-MIDI



Mounting box



*Can be shortened to required length

PHOTOMETRY

LEDDISK-MIDI

OVERVIEW			Lifetime residual flux @ T _a 25°C (**)
Number of LEDs	Neutral white (4000K)		@50.000h
LED Current: 500mA	Nominal flux (lm)*	1800	70%
	Power consumption (W)	16	

LEDDISK-MAXI

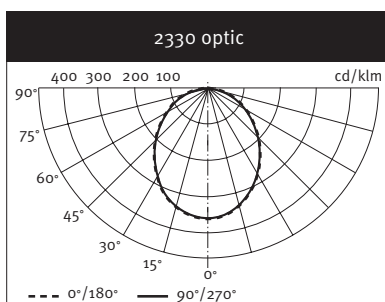
OVERVIEW			Lifetime residual flux @ T _a 25°C (**)
Number of LEDs	Neutral white (4000K)	128 LEDs	@60.000h
LED Current: 350mA	Nominal flux (lm)*	9200	90%
	Power consumption (W)	70	
LED Current: 500mA	Nominal flux (lm)*	12900	
	Power consumption (W)	102	
LED Current: 700mA	Nominal flux (lm)*	18000	
	Power consumption (W)	150	

(*) The nominal flux is an indicative LED flux @ T_s 85°C based on LED manufacturer's data. The real flux output of the luminaire depends on environmental conditions (e.g. temperature and pollution) and the optical efficiency of luminaire.

The type of LED used is subject to change due to the ongoing rapid progress taking place in LED technology.

(**) In accordance with LM-80 – TM-21

LIGHT DISTRIBUTIONS



Electronic data files available on request

ORDERING DATA

DESCRIPTION	LINE CURRENT (A)	LEDs	LED CURRENT (mA)	LUMEN	MASS (KG)
LEDDISK-MIDI 16W	0.07	-	500	1 800	3.2
LEDDISK-MAXI 70W	0.31	128	350	9 200	14
LEDDISK-MAXI 102W	0.44	128	500	12 900	14
LEDDISK-MAXI 150W	0.65	128	700	18 000	14

Standard colour: White (RAL 9003), Textured finish

OPTIONS

ELECTRICAL	
Dimming control	DALI
Correlated colour temperature	Warm white (3000K)
MECHANICAL	
Suspension system	Extra length
	Other RAL colour, Matt finish
Colour	Other RAL colour, Brilliant finish
	Other RAL colour, Textured finish

Copyright © BEKA Schréder (Pty) Ltd 2020 – 13 West View Road – PO Box 120 – Olifantsfontein – 1665 – South Africa – The information, descriptions and illustrations herein are of only an indicative nature. Due to advanced developments, we may be required to alter the characteristics of our products without notice. As these may present different characteristics according to the requirements of individual countries, we invite you to consult us.

Designed and manufactured by BEKA Schréder (Pty) Ltd - South Africa
Manufacturers of Luminaires and Glass Fibre Poles

11/20

BEKA Schréder
Experts in lightability™

BEKA Schréder (Pty) Ltd | 13 West View Road | P.O. Box 120 | Olifantsfontein | 1665 | South Africa
T: +27 11 238 0000 | F: +27 11 238 0180
info@beka-schreder.co.za | www.beka-schreder.co.za

