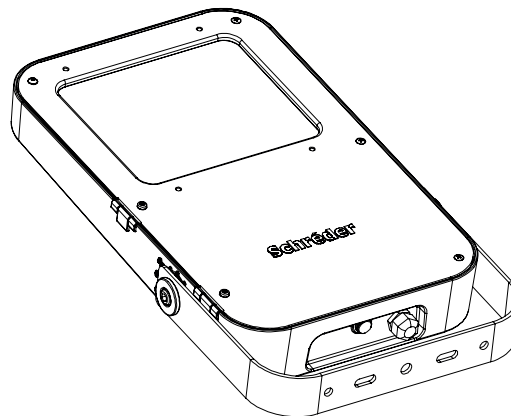


BEKA Schröder

Experts in lightability™



OMNIflood-midi



SANS
60598



103 - 138W

198-264V – 50Hz

IP

66

IK

08

ENG

The light source fitted in this luminaire shall only be replaced by a BEKA Schröder employee or agent or a similar qualified person. This luminaire is installed above 5 meters. The glass cover will fracture into small pieces.

FRA

La source de lumière intégrée dans ce luminaire peut uniquement être remplacée par un employé de BEKA Schröder, un agent ou une autre personne qualifiée. Ce luminaire est installé au dessus de 5 mètres. La couverture en verre se fracturera en petits morceaux.

POR

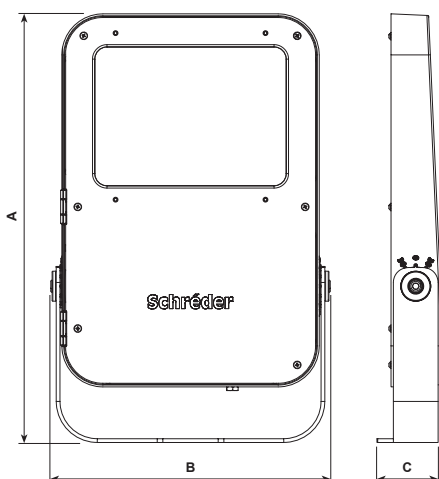
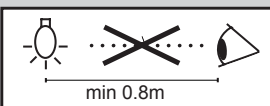
A fonte de luz montada nesta luminária só pode ser substituída por um funcionário ou agente da BEKA Schröder ou por profissional qualificado autorizado para o efeito. Esta luminária está instalada acima de 5 metros. A tampa de vidro irá fraturar em pequenos pedaços.



CAUTION - RISK OF ELECTRIC SHOCK



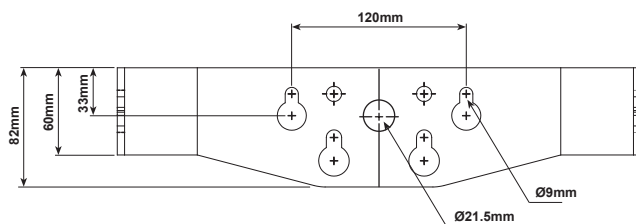
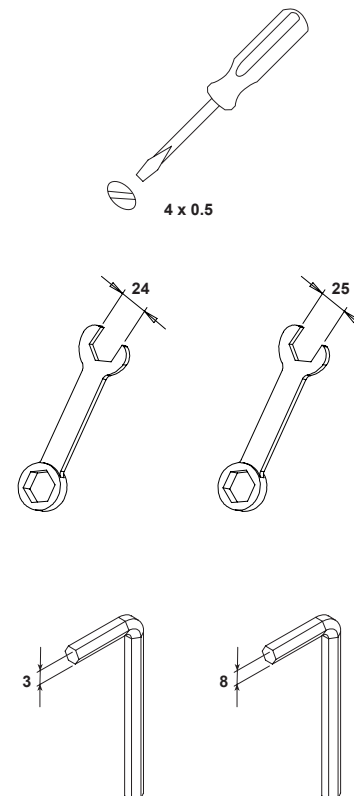
RISK GROUP 2
CAUTION - Possibly hazardous optical radiation emitted from this product. Do not stare at operating lamp. May be harmful to eyes. The luminaire should be positioned so that prolonged staring into the luminaire at a distance closer than 1.9m is not expected.



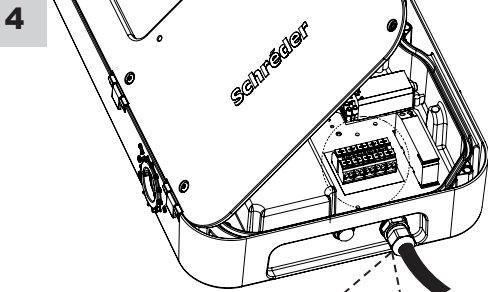
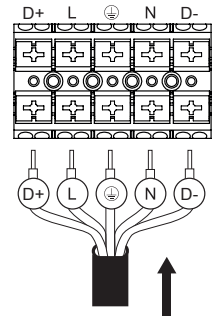
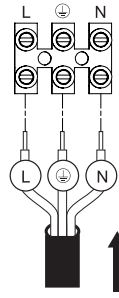
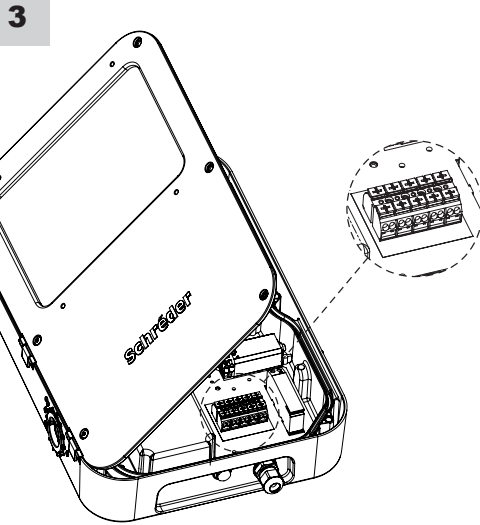
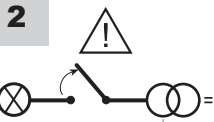
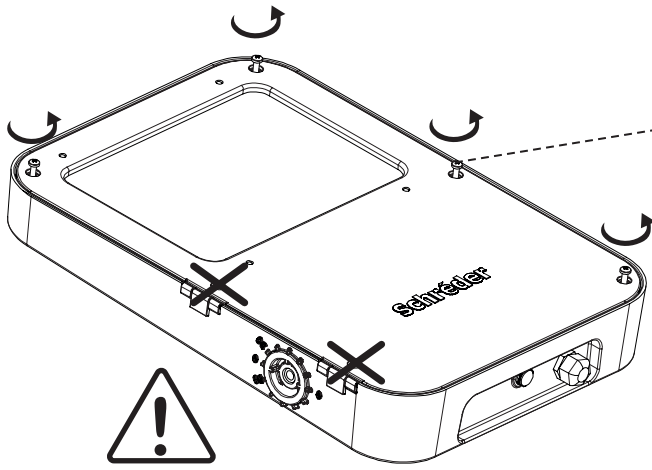
AxBxC (mm) 575x375x82

Weight (kg) 10

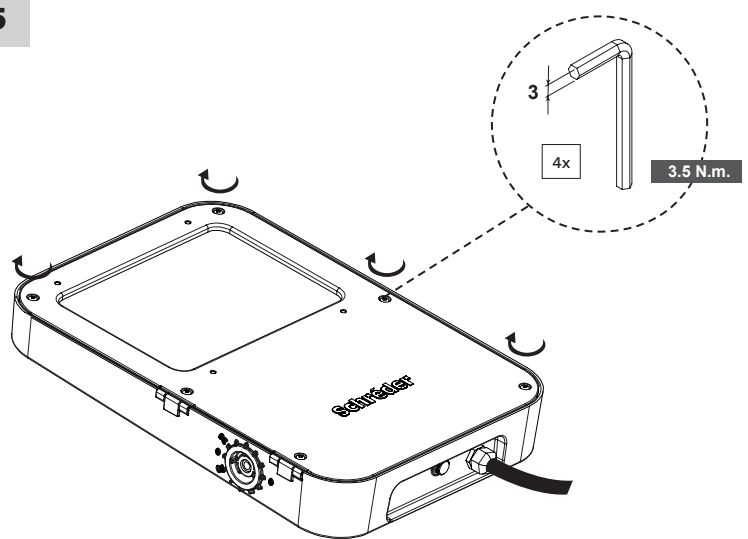
Aerodynamic resistance (CxS)(m²) 0.1725



A 1



5



B

